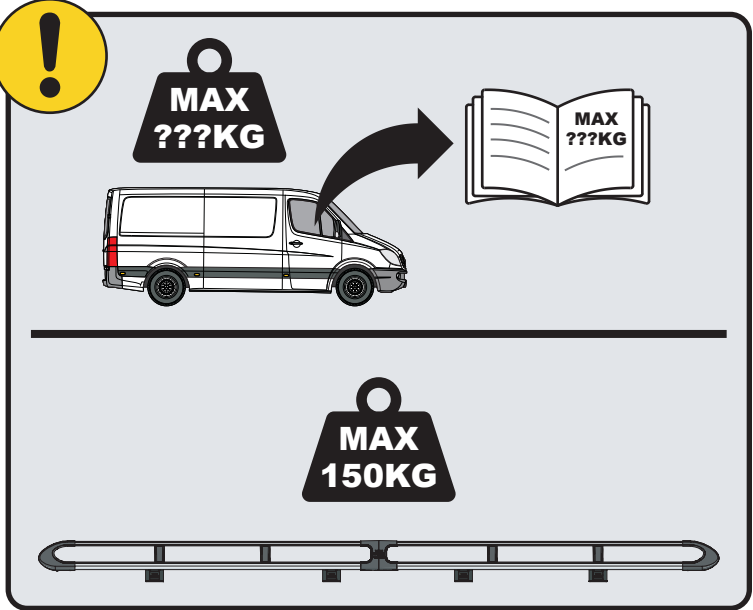
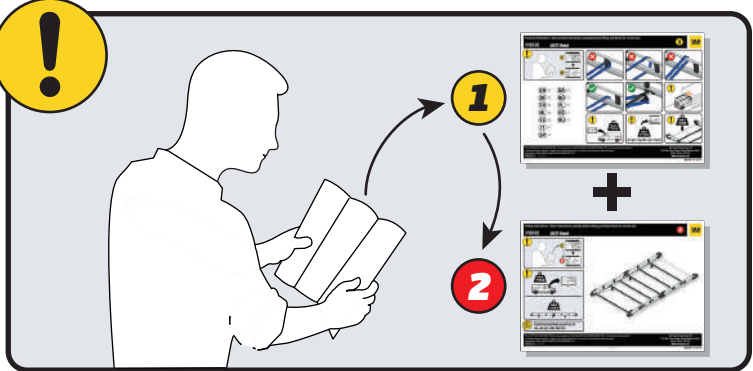


IN8309

ULTI Rack+



 Customercare@van-guard.co.uk
UK +44 (0) 1392 368 351



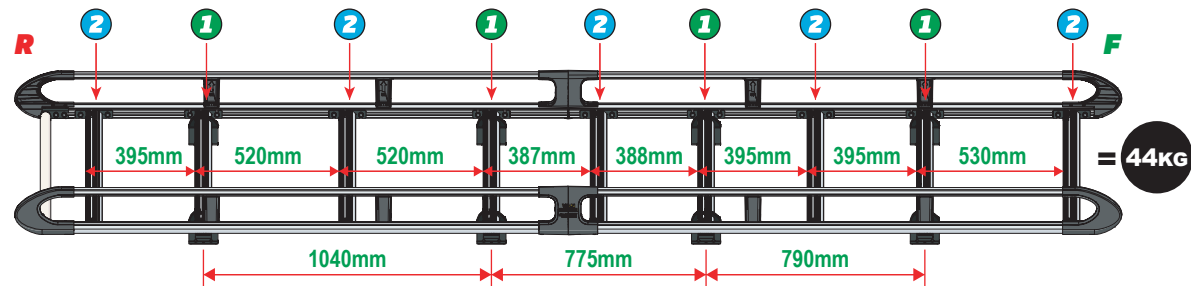
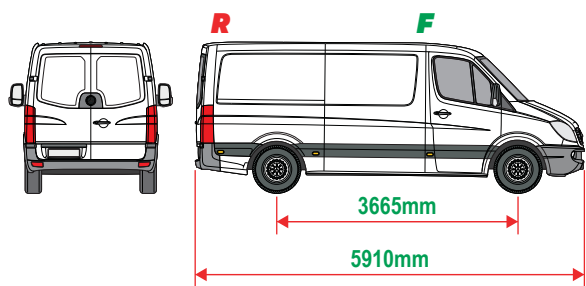
This FITTING INSTRUCTION is the property of VAN GUARD ACCESSORIES LTD. and must not be used for manufacturing purposes, copied nor communicated in any way to third parties without written permission from VAN GUARD ACCESSORIES LTD.
IN8309_A (CN:NR)

Van Guard Accessories Ltd
Fair Oak Close, Exeter Airport Business Park,
Exeter, Devon, EX5 2UL
www.van-guard.co.uk

THIS INSTRUCTION COVERS THE FOLLOWING MODELS - CHECK YOU ARE FITTING THE CORRECT MODEL BEFORE PROCEEDING

VGUR-238

Mercedes Sprinter: 2006 on
 Volkswagen Crafter: 2007-2017
 L2H1 (MWB)
 Twin Rear Doors



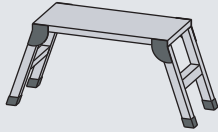
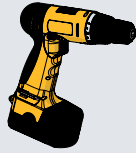
SUPPLIED COMPONENTS - CHECK ALL PARTS ARE PRESENT AND CORRECT BEFORE PROCEEDING (1 OF 2)

TOOLS REQUIRED

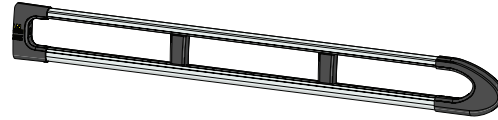
10MM X1



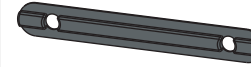
13MM X1



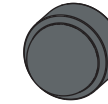
AS3549 X2
(3800 / A)



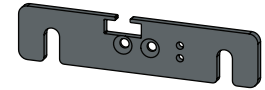
MA6118 X18



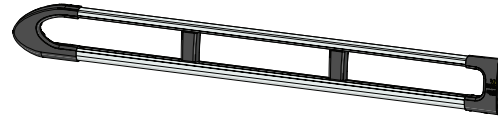
FX4241 X40



ME1622 X5



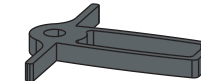
AS3548 X2
(3800 / B)



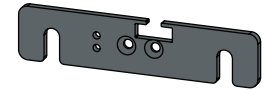
FX4008 X1



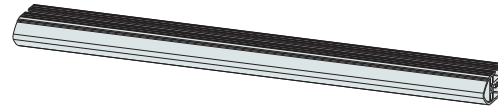
MA6145 X1



ME1623 X5



ME1628 X9
(1554mm)



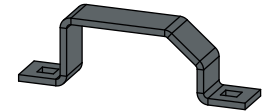
FX4001 X2
(M8X40)



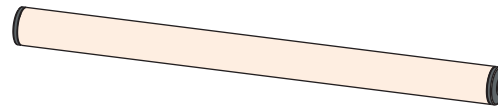
FX4235 X36
(M5X25)



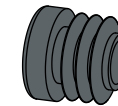
ME0203 X8



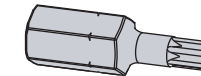
AS3160 X1
(1540mm)



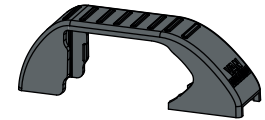
MA6007 X4



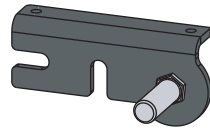
FX4248 X1
(T25)



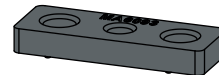
MA6065 X8



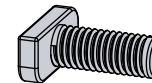
AS3590 X1



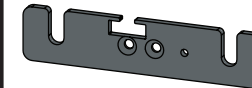
MA6093 X18



FX4239 X40
(M8X20)



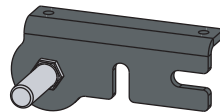
ME1620 X4



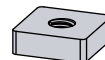
FX4016 X24
(M6)



AS3591 X1



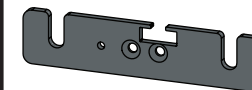
ME0316 X18



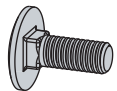
FX4240 X40
(M8)



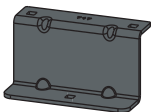
ME1621 X4



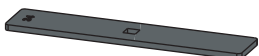
FX4042 X16
(M6X16)



ME0717 X8



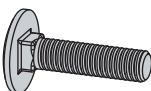
ME0034 X8



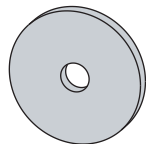
FX4014 X8



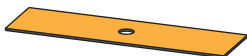
FX4022 X8
(M6X25)



FX4023 X8



MA6018 X8



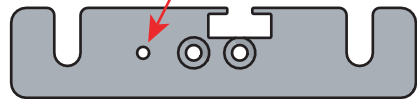
01

1L



X4

1R



X4



2L



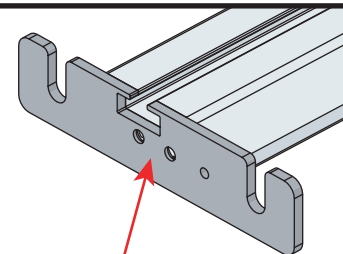
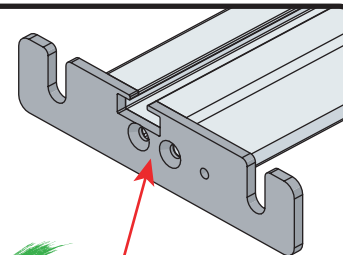
X5

2R



X5

02



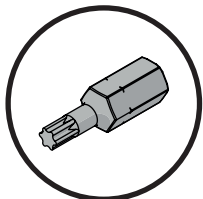
03

01

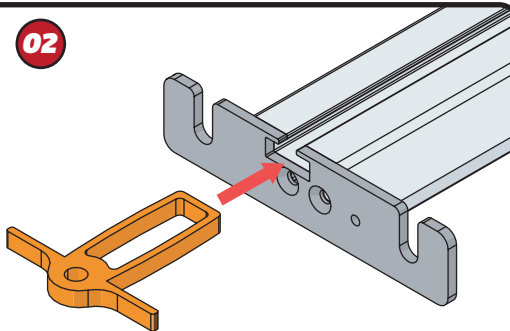
FX4248



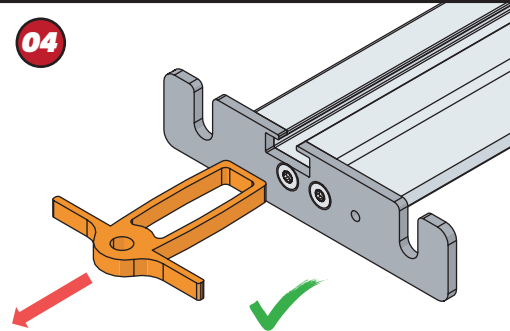
+



02



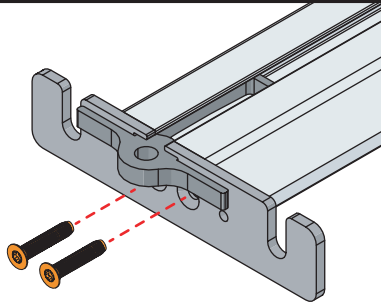
04



03



11Nm

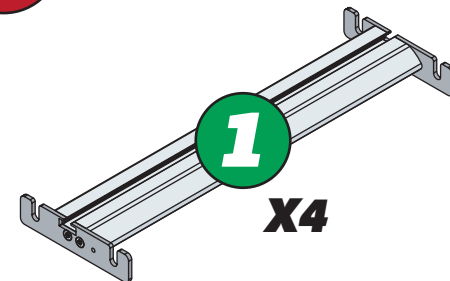


04



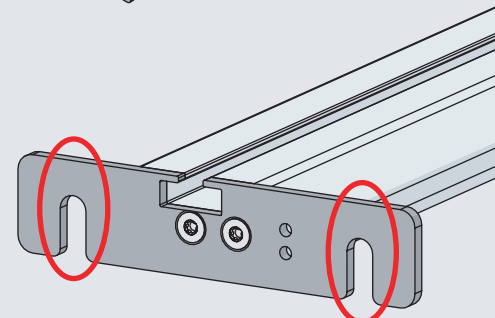
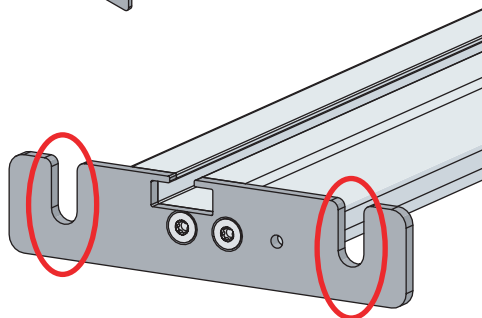
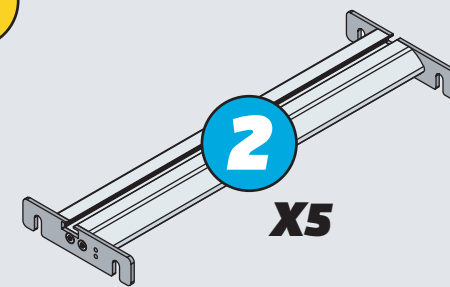
1

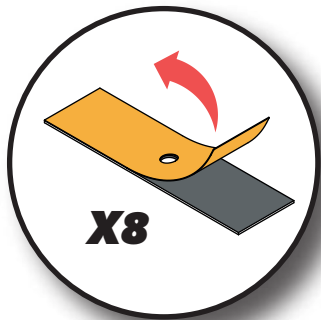
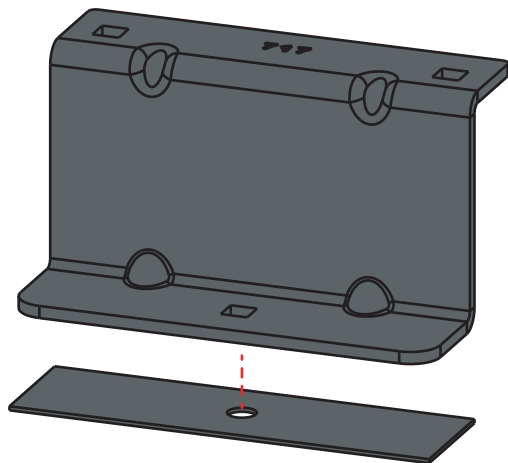
X4



2

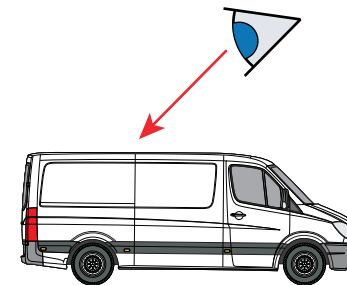
X5



05**X8**

EN - STICK GASKETS TO ALL BRACKETS
 DE - KLEBEN SIE DIE DICHTUNG AN ALLEN HALTERUNGEN
 FR - COUSSINETS ADHÉSIFS À TOUS LES SUPPORTS
 NL - PLAK PAKKING OP ALLE BEUGELS
 ES - PEGA LAS ALMOHADILLAS A TODOS LOS SOPORTES
 IT - ADESIVI GUARNIZIONI A TUTTE LE STAFFE

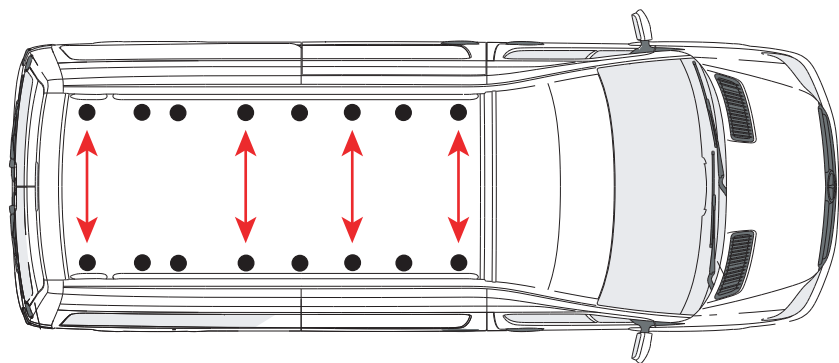
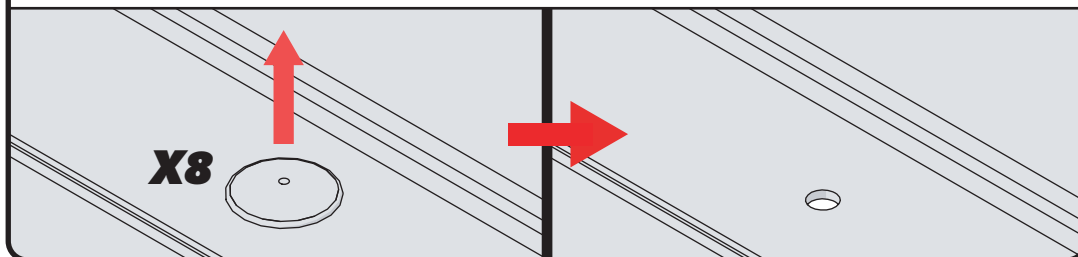
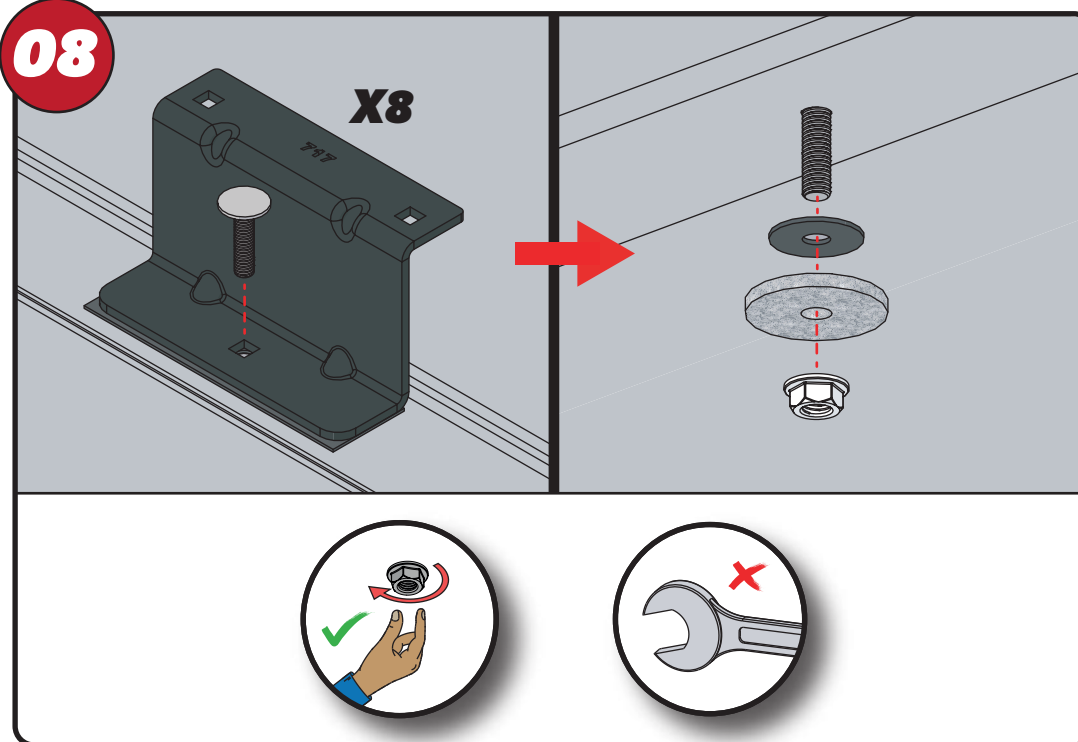
SV - FÄST GUMMI PÅ ALLA FÄSTEN
 DA - KLÆB GUMMI PÅ ALLE BESLAG
 NO - PLIST GUMMI PÅ ALLE BRAKKETER
 PL - NAKLEJ USZCZELKI DO WSZYSTKICH WSPORNIKÓW
 CS - PŘILEPTE TĚSNĚNÍ NA VŠECHNY DRŽÁKY

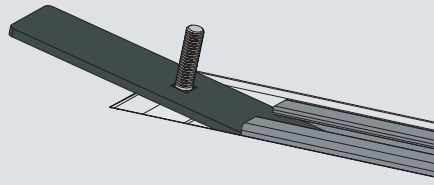
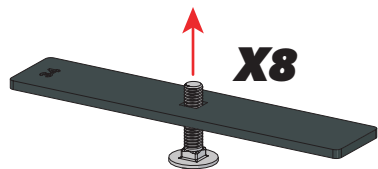
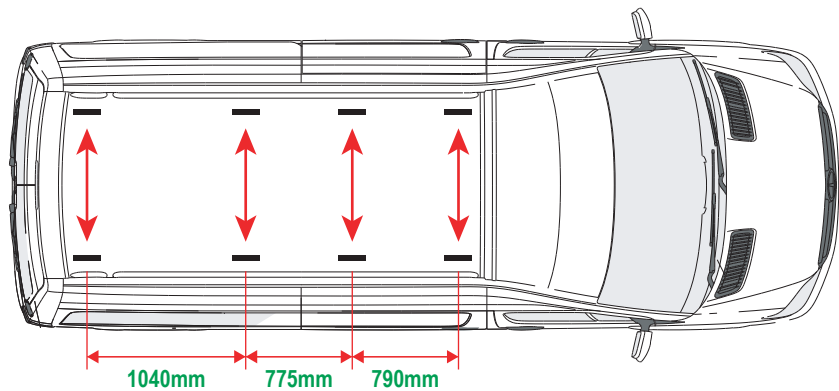
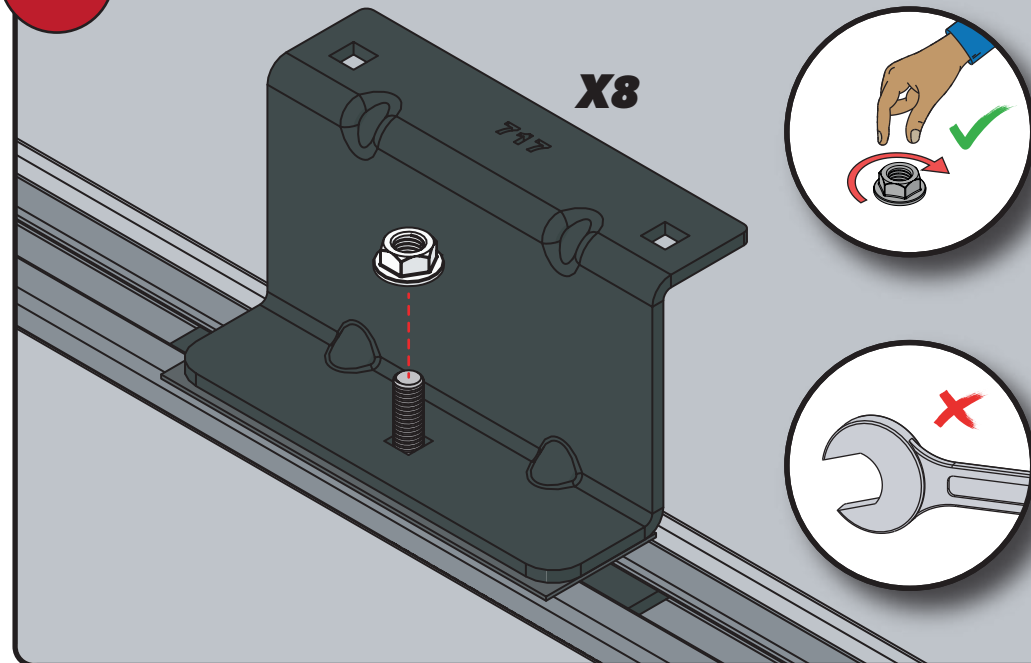
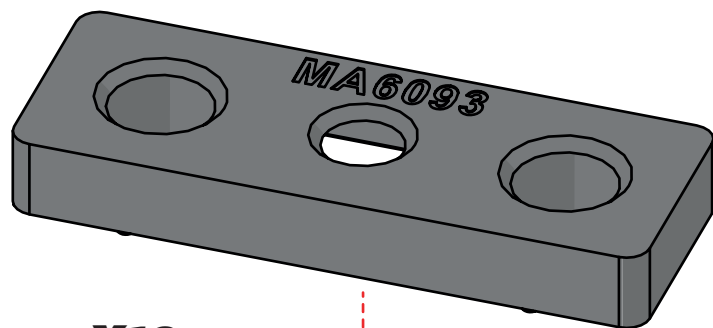
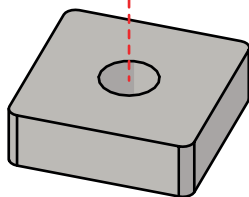
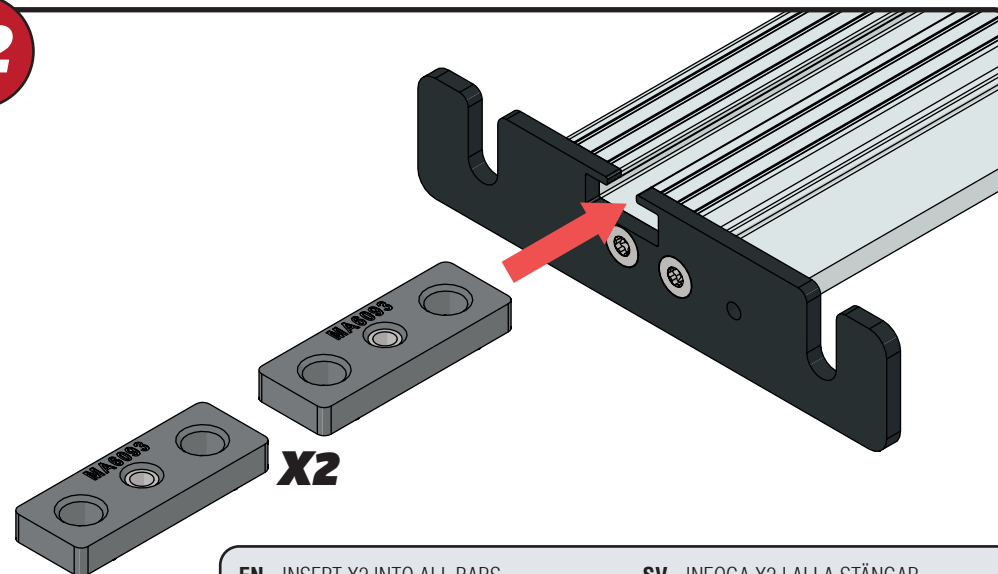
06

ROOF PLUGS

07 08

ROOF PREPERATION KIT (T-TRACK)

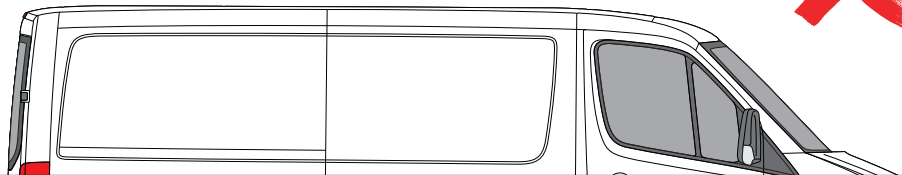
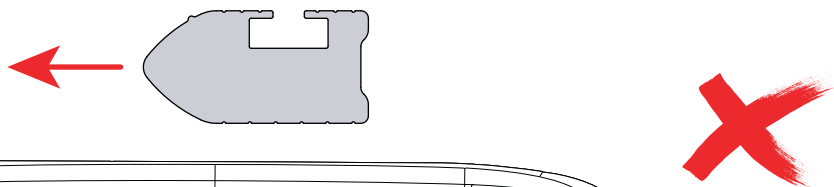
09 10**07****X8****08****X8**

09**10****11****X18****12**

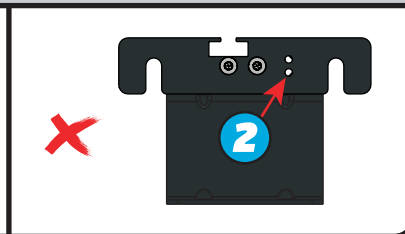
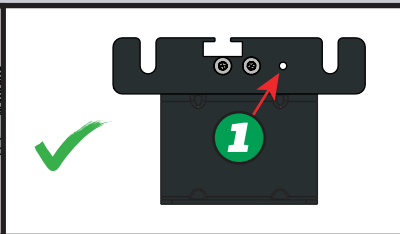
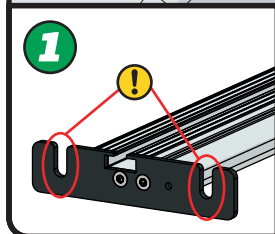
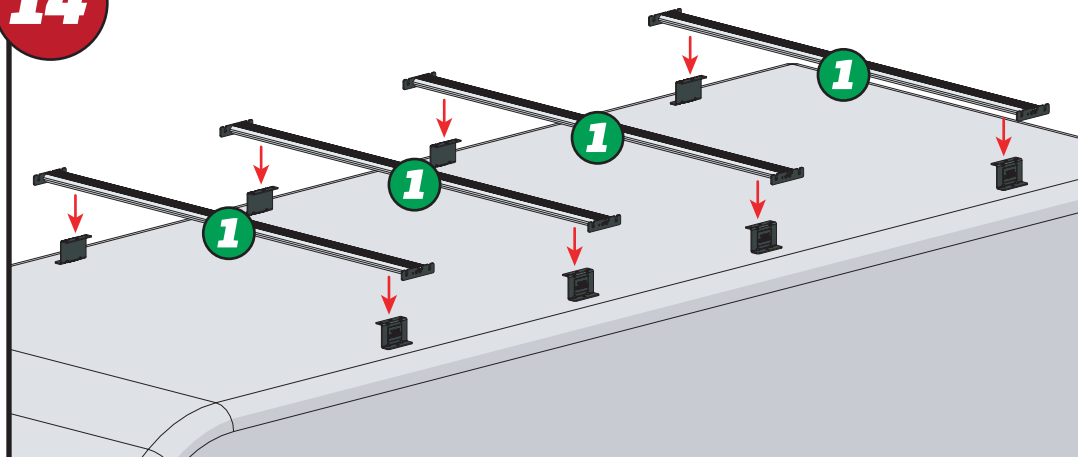
EN - INSERT X2 INTO ALL BARS
 DE - X2 IN ALLE STANGEN EINFÜGEN
 FR - INSÉRER X2 DANS TOUTES LES BARRES
 NL - PLAATS X2 IN ALLE BARS
 ES - INSERTAR X2 EN TODAS LAS BARRAS
 IT - INSERIRE X2 IN TUTTE LE BARRE

SV - INFOGA X2 I ALLA STÄNGAR
 DA - INDSÆT X2 I ALLE STÆNGER
 NO - SETT X2 INN I ALLE TAKSTENGER
 PL - WSTAW X2 DO WSZYSTKICH PRĘTÓW
 CS - VLOŽTE X2 DO VŠECH TYČÍ

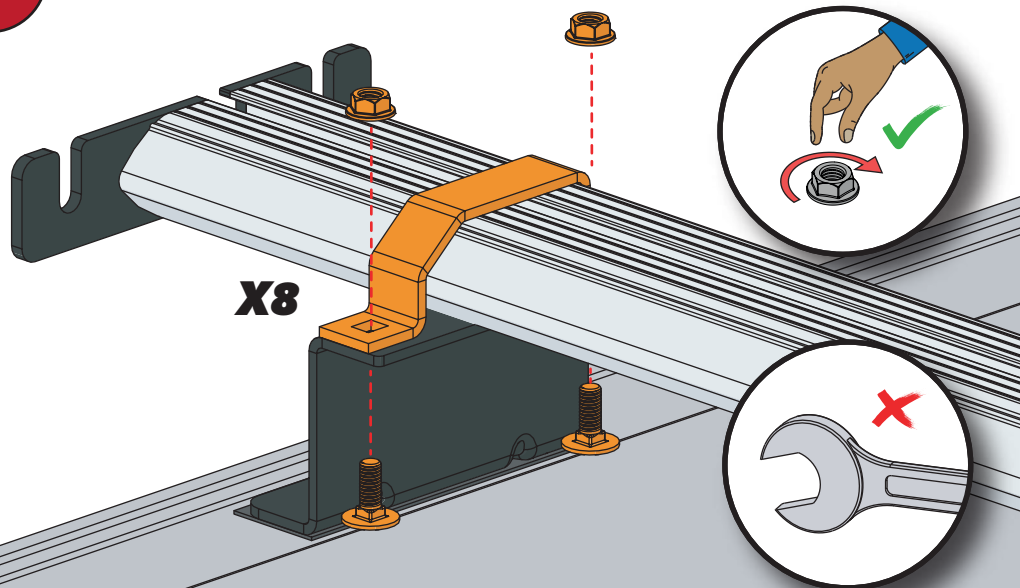
13



14

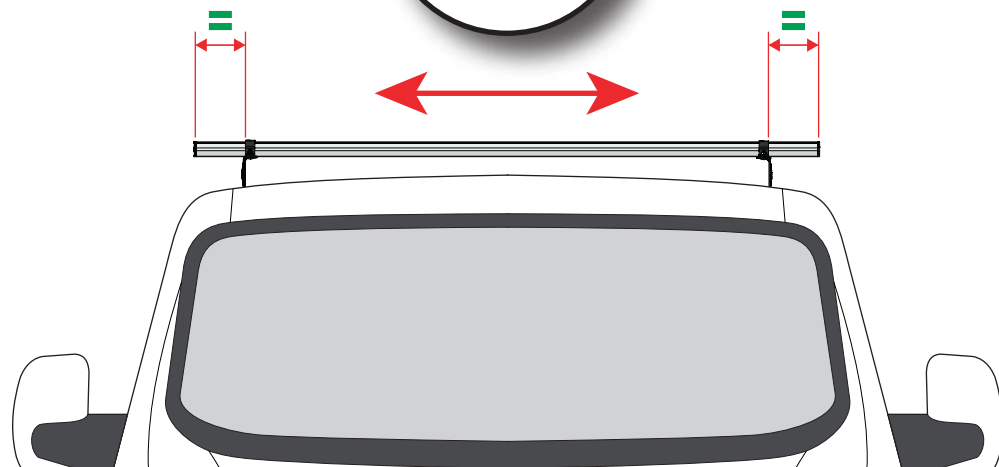
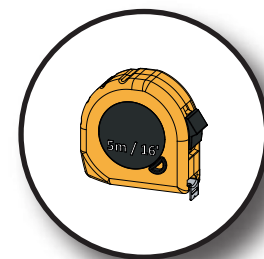


15



X8

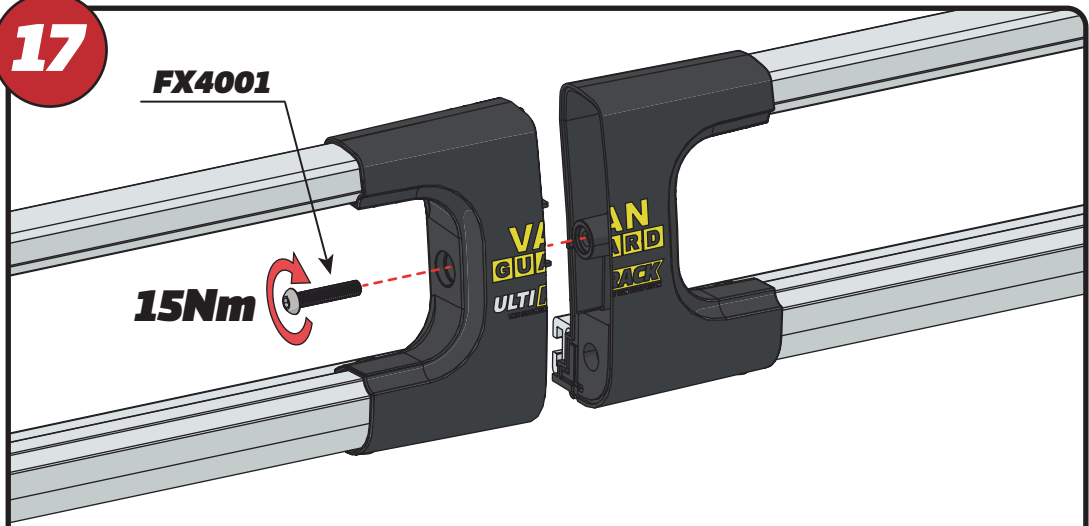
16



17

FX4001

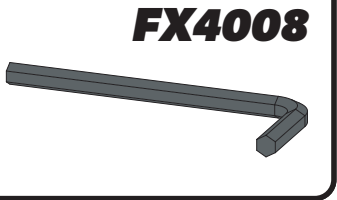
15Nm



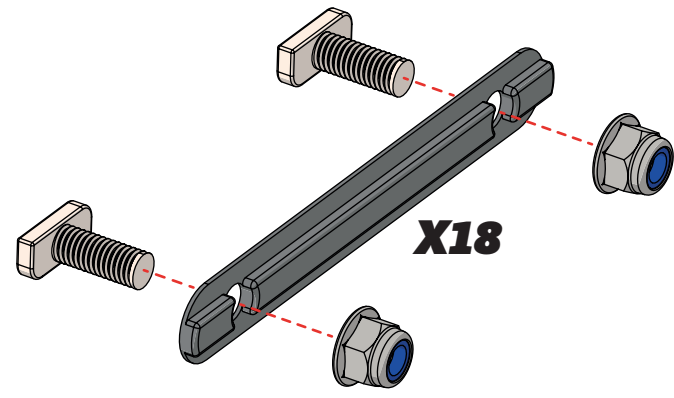
X2



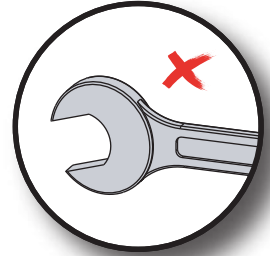
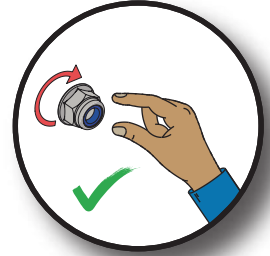
FX4008



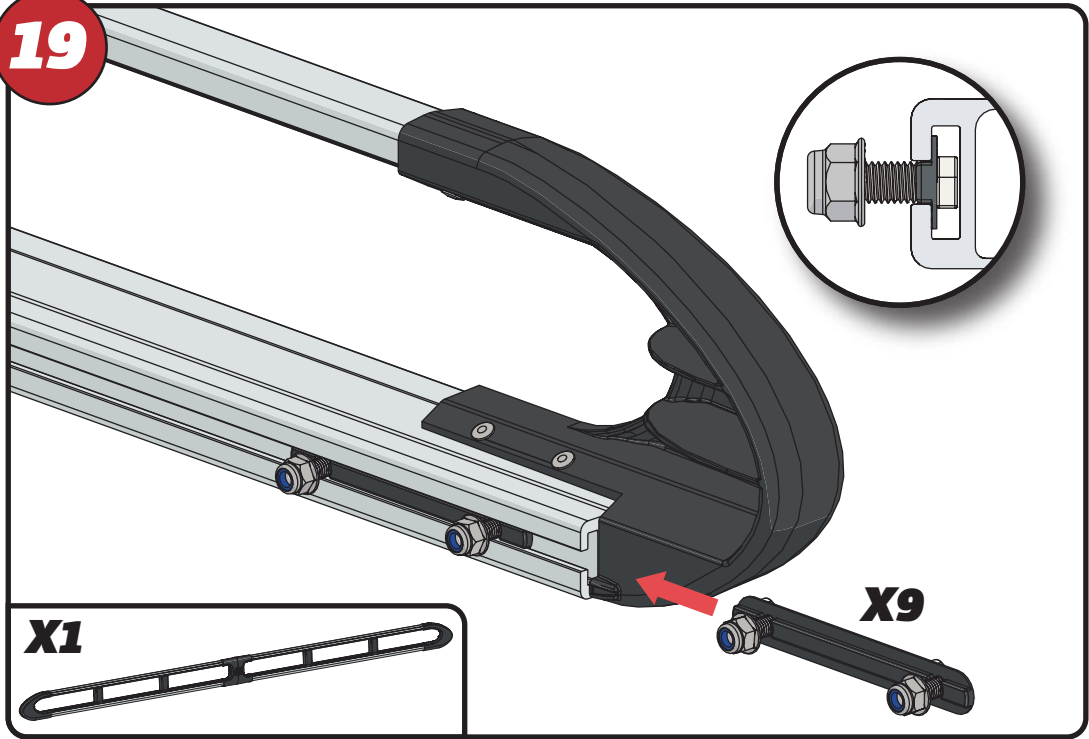
18



X18



19



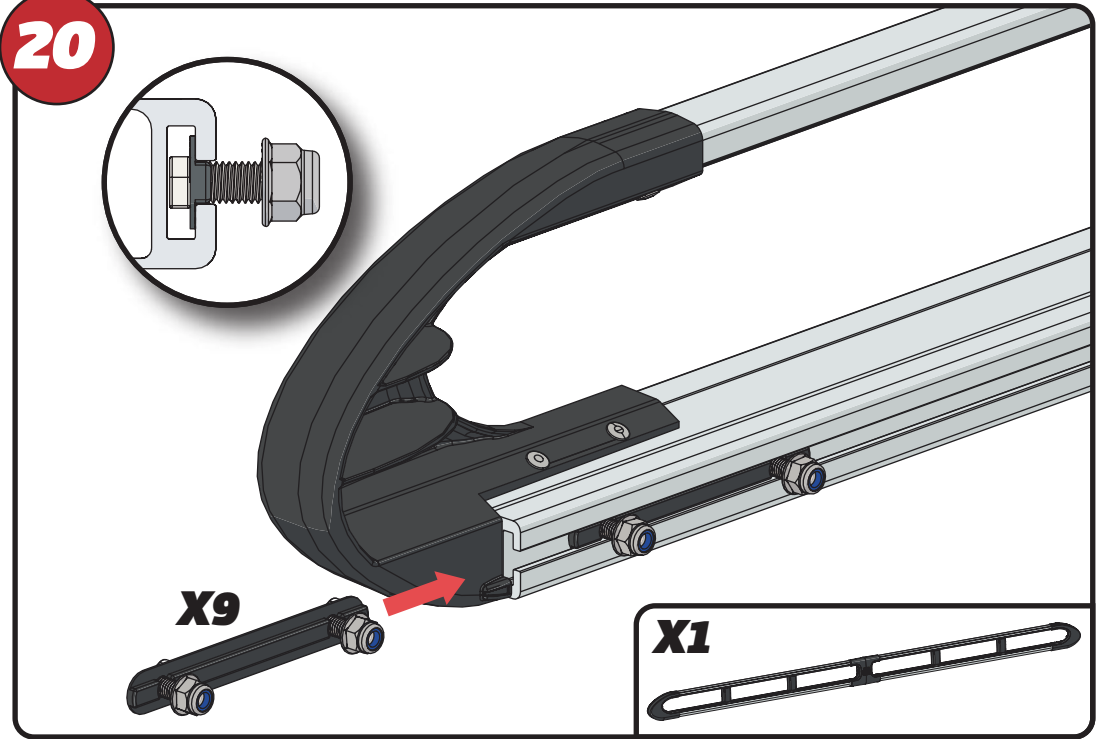
X1



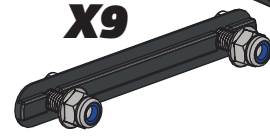
X9



20



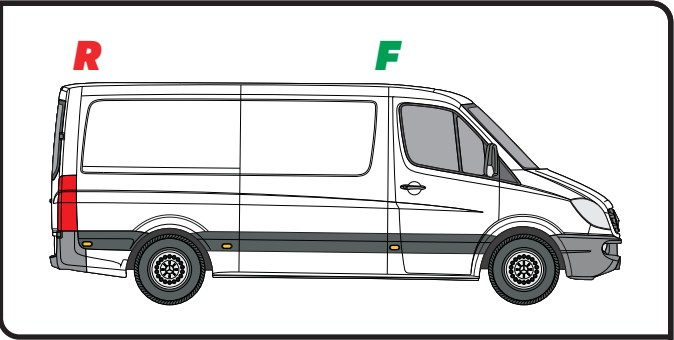
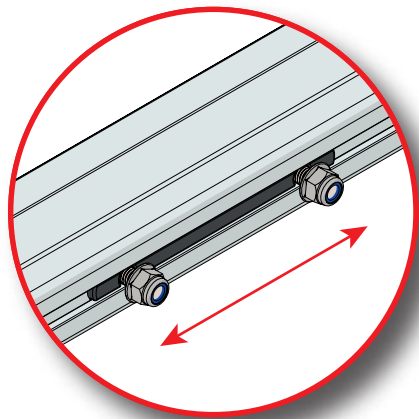
X9



X1

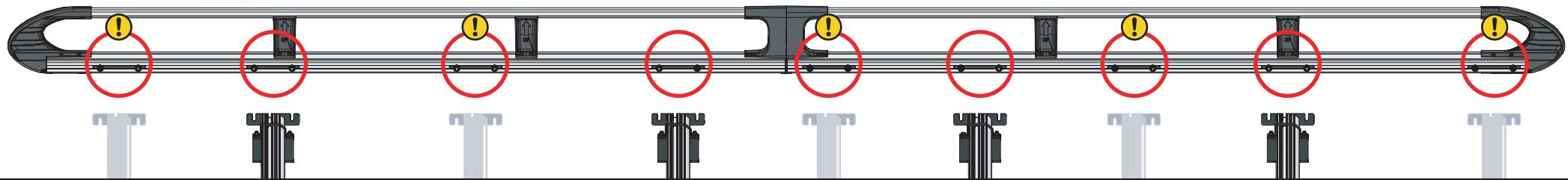


21

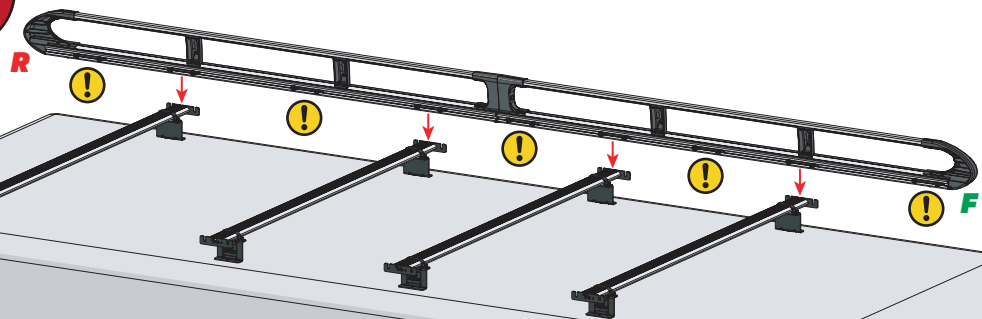


R

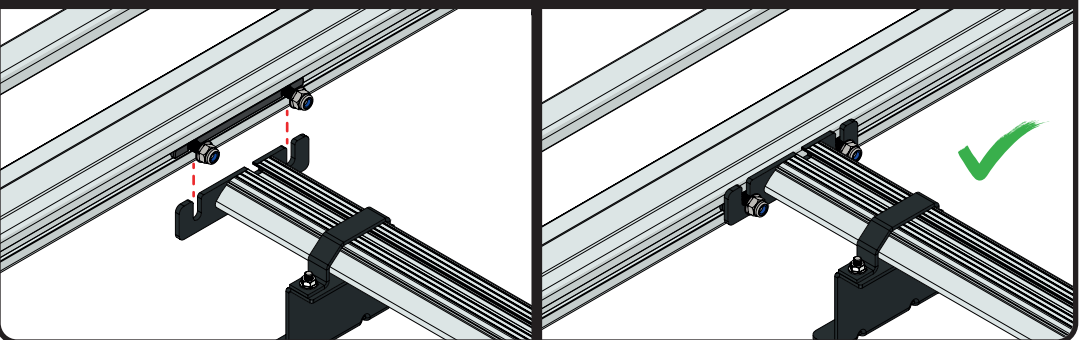
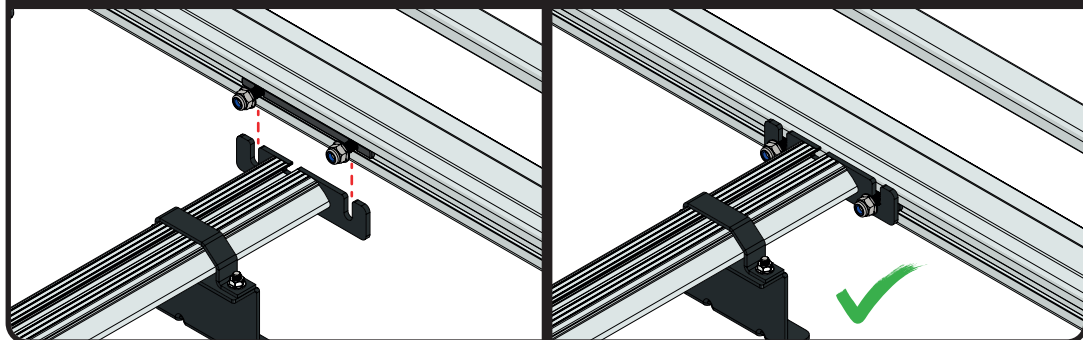
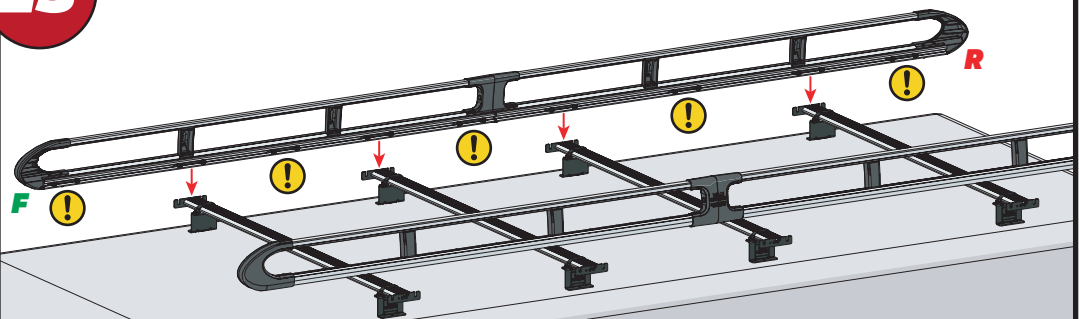
F



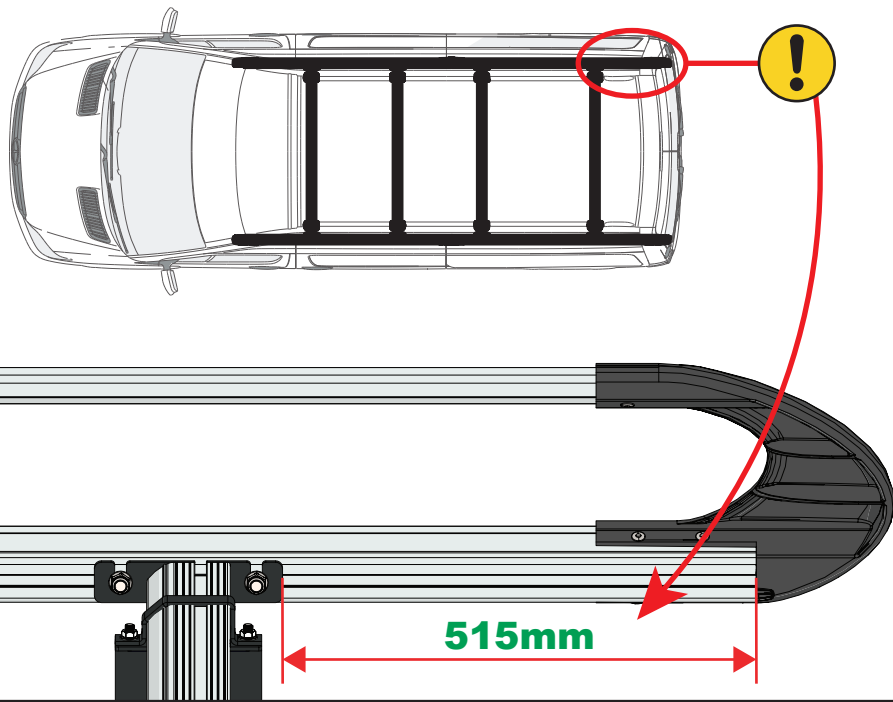
22



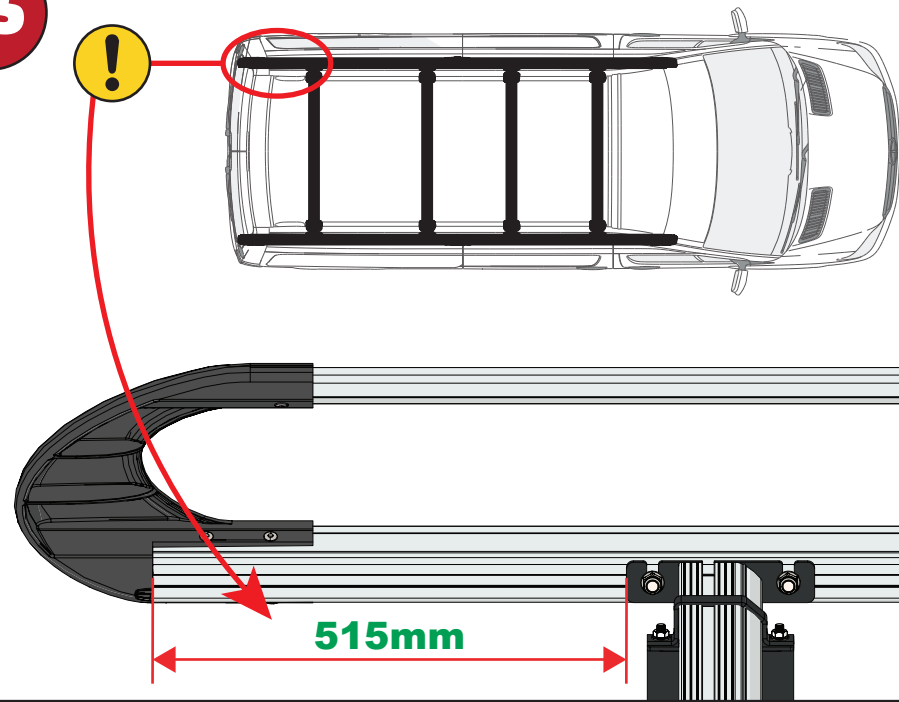
23



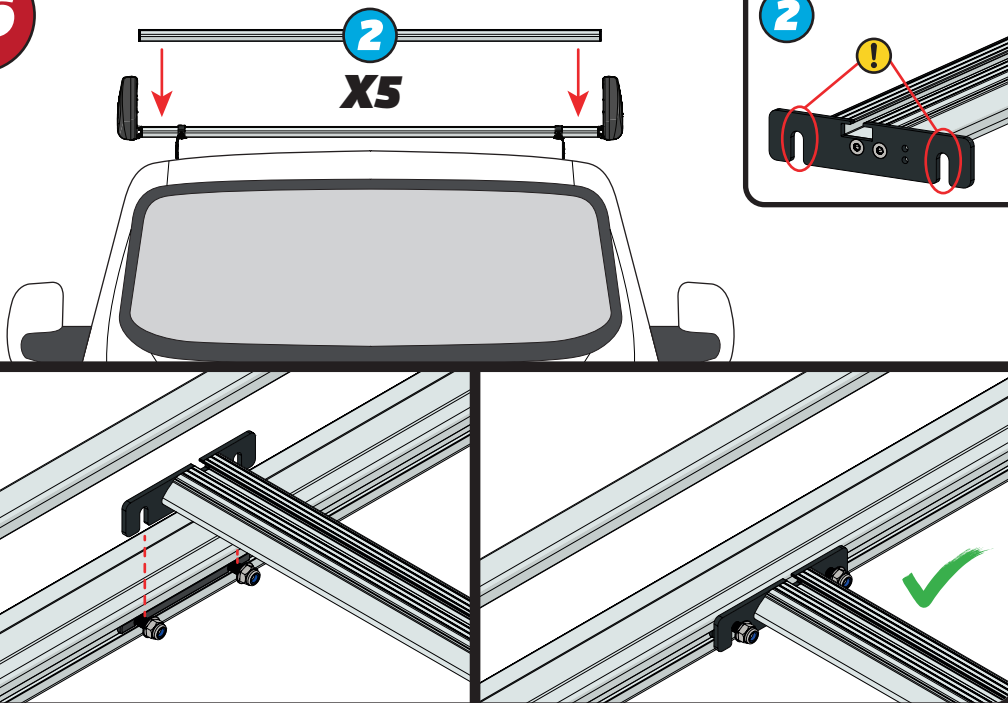
24



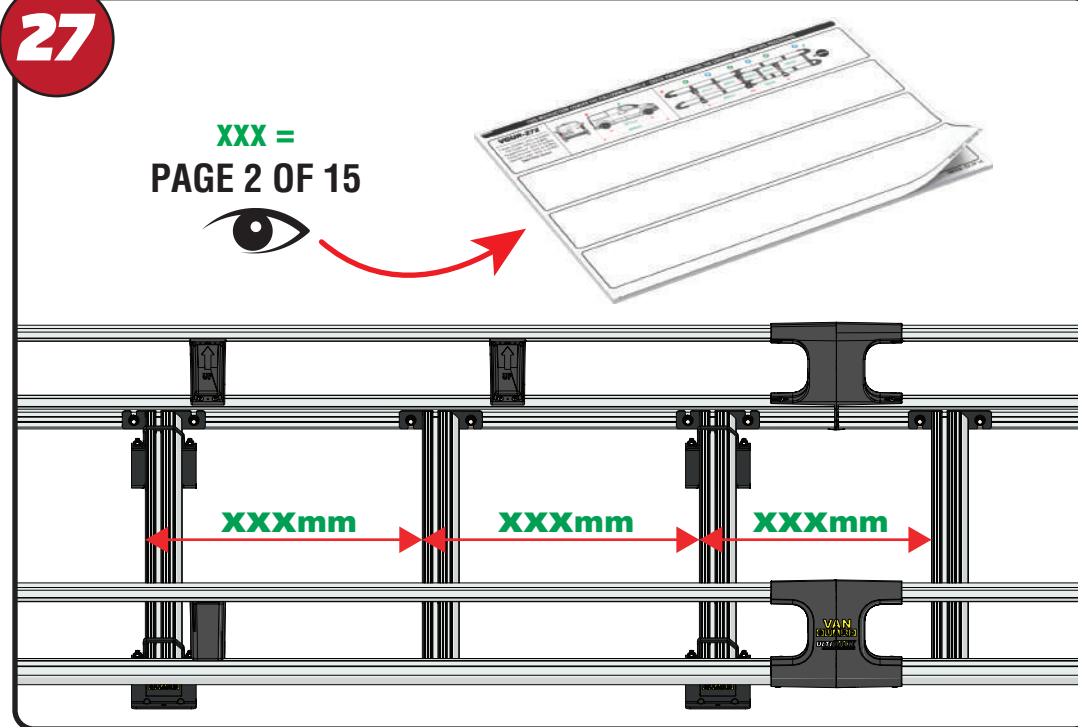
25

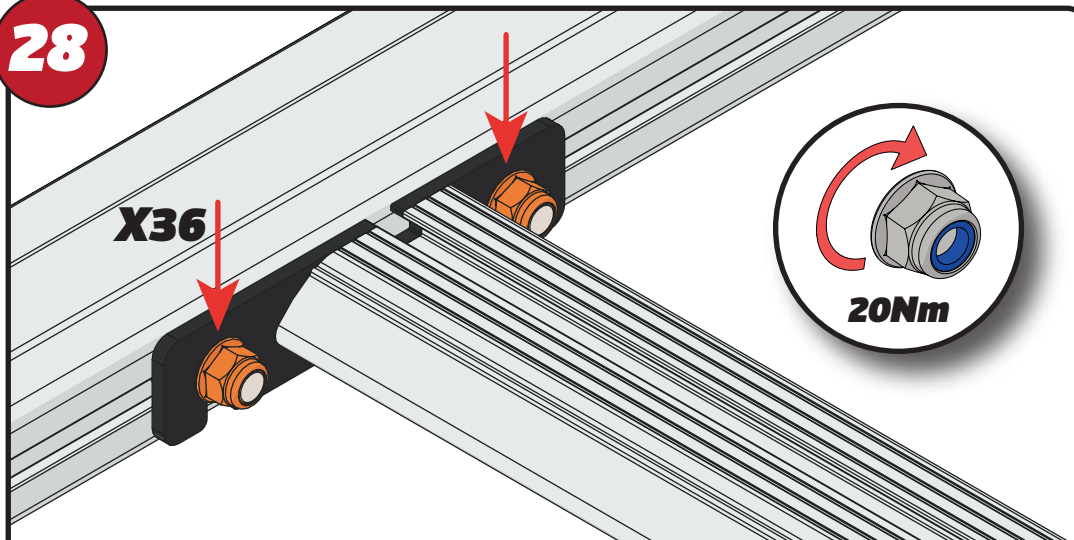
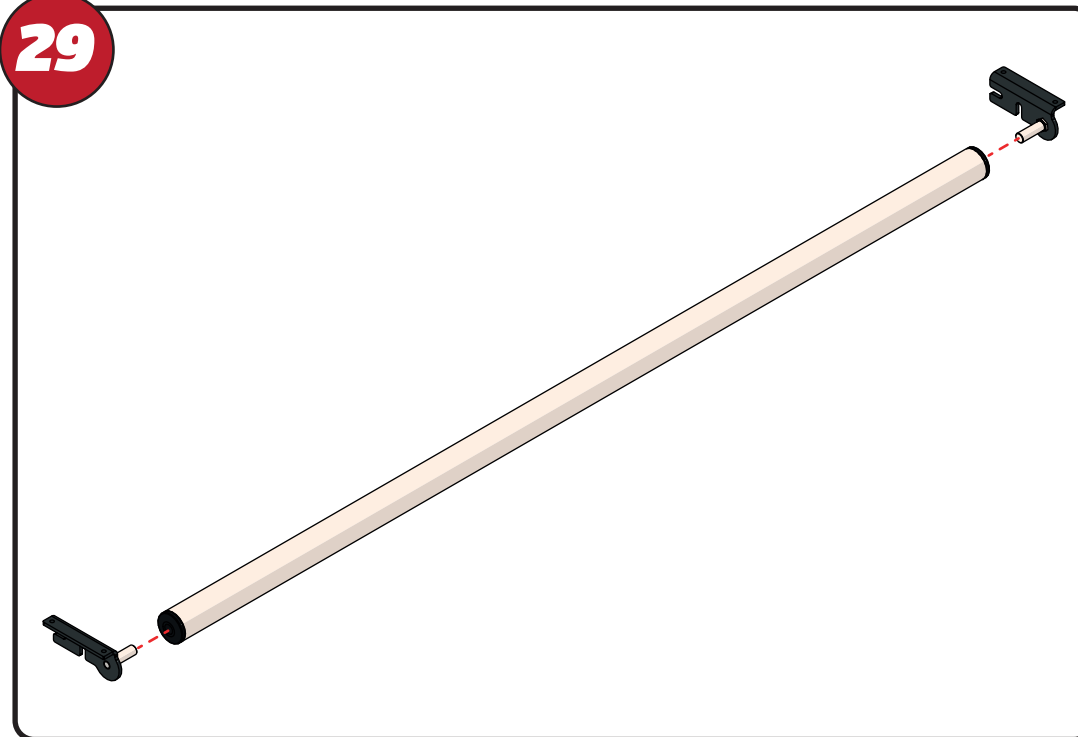
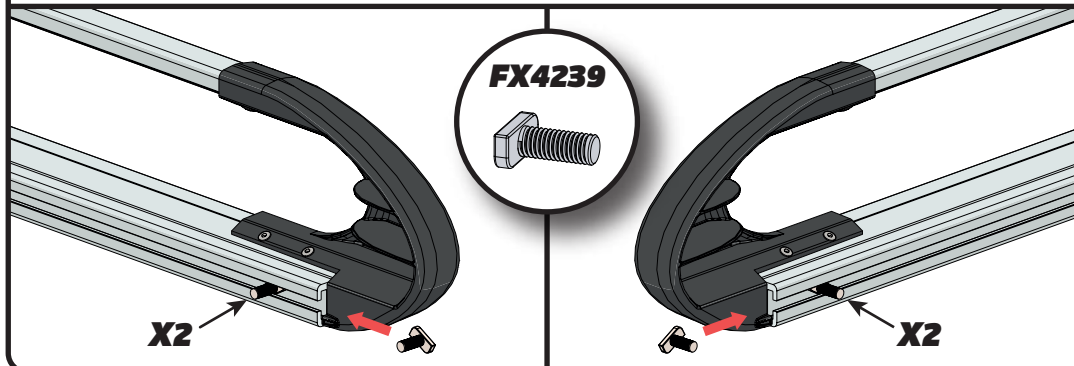
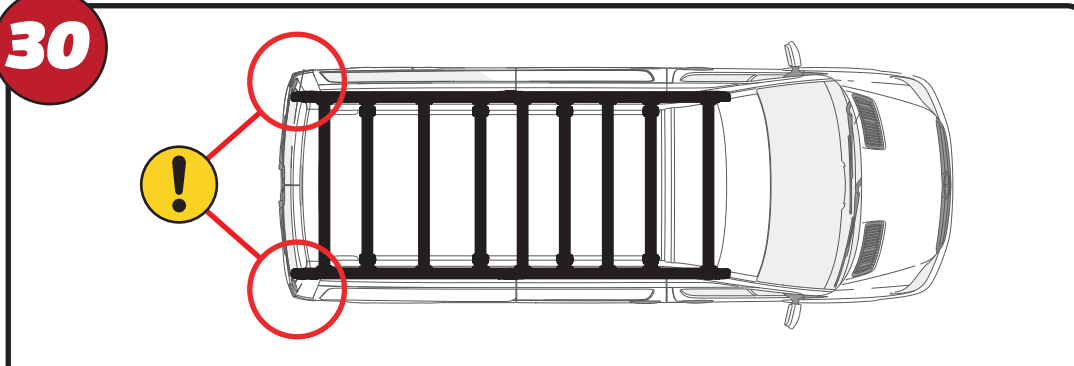
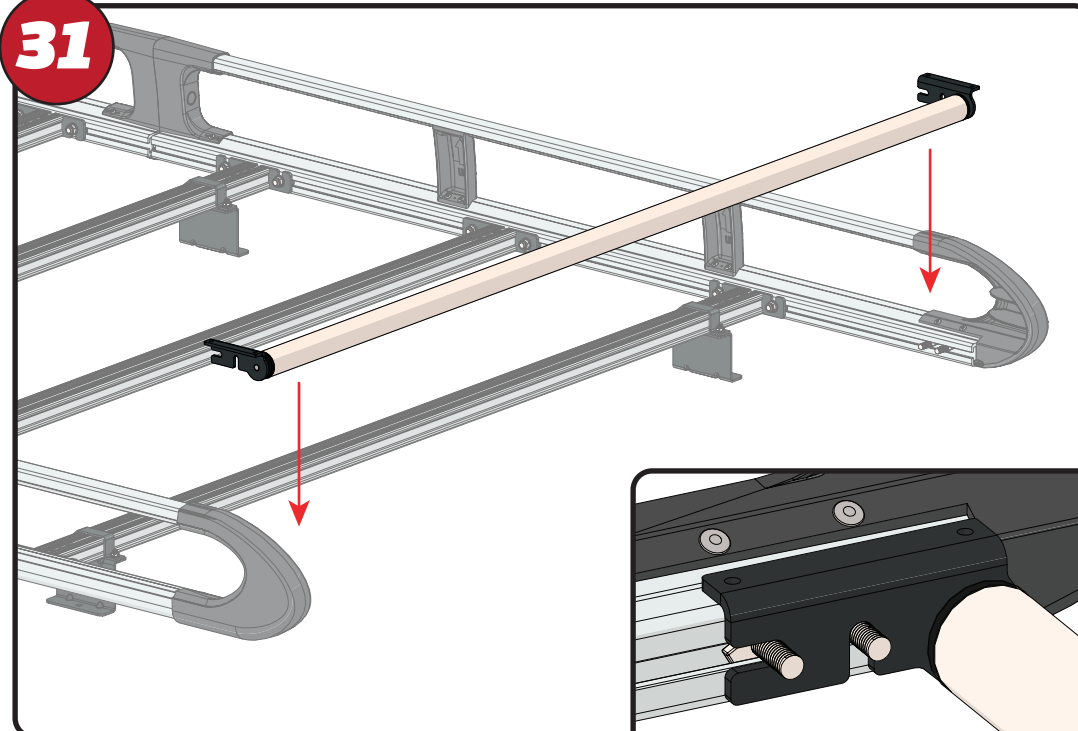


26

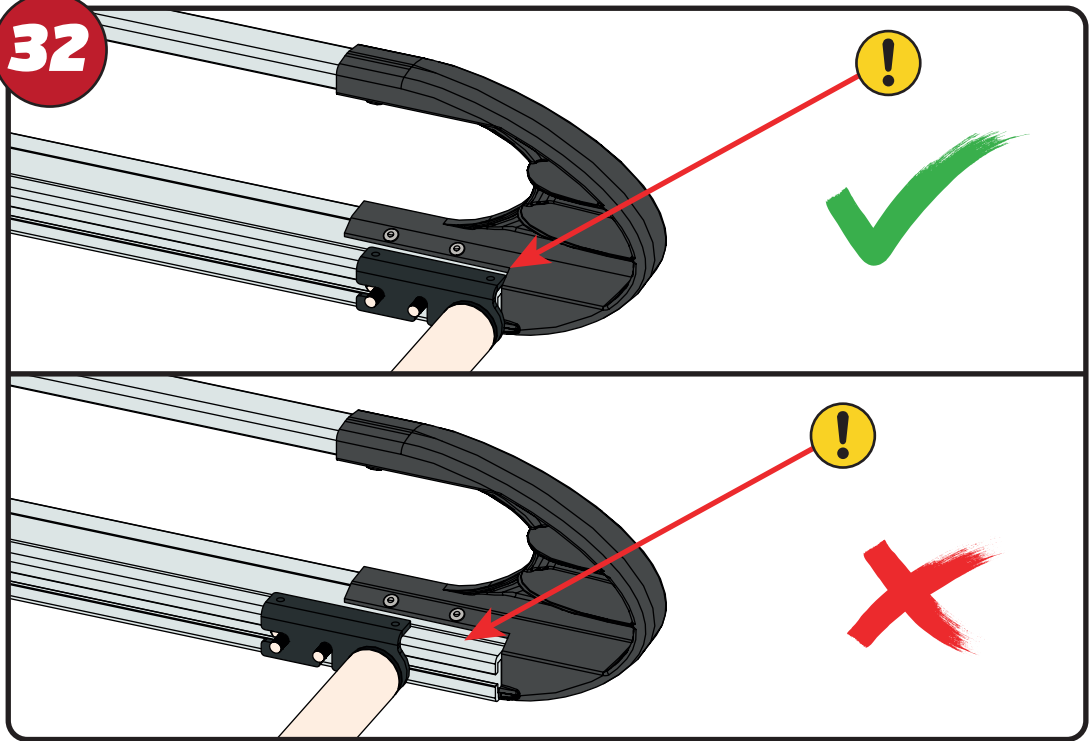


27

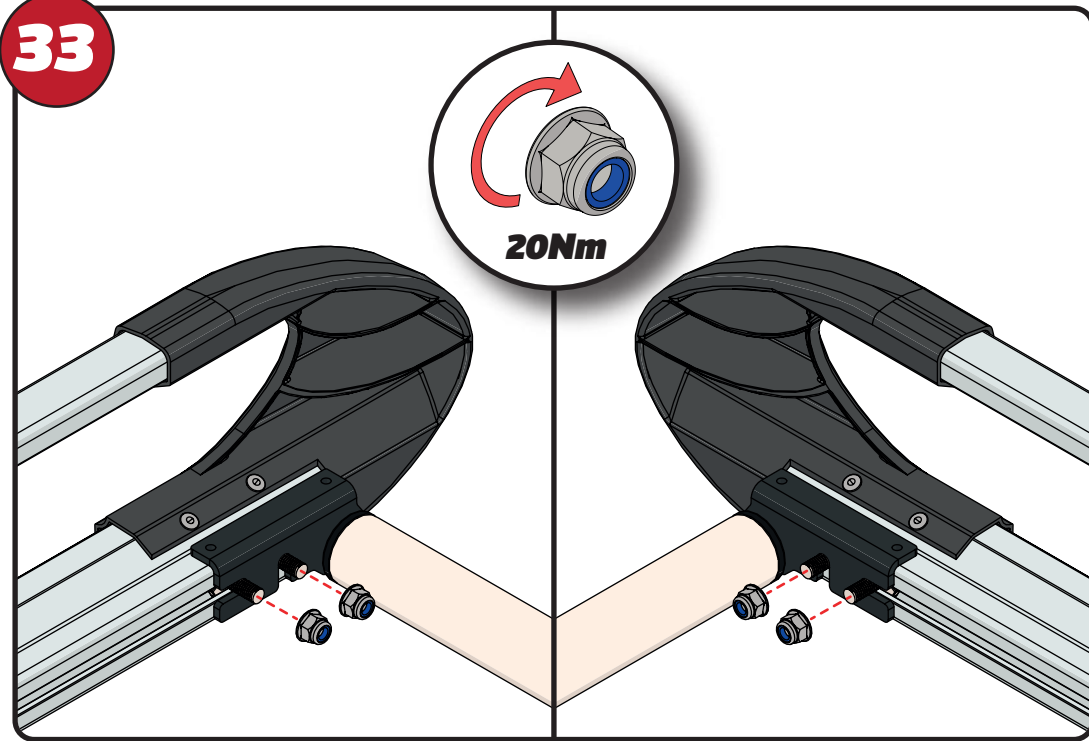


28**EN** - TIGHTEN ALL OF THE CROSS BARS**DE** - ALLE QUERSTANGEN FESTZIEHEN**FR** - SERREZ TOUTES LES BARRES TRANSVERSALES**NL** - DRAAI ALLE DWARSBALK VAN HET DAK AAN**ES** - APRIETE TODAS LAS BARRAS TRANSVERSALES**IT** - STRINGERE TUTTE LE BARRE TRASVERSALI**SV** - SKRU UPP ALLA KORSSTANGAR**DA** - SKRU ALLE TAGBØJLER OP**NO** - SKRU OPP ALLE TVERRSTENGER**PL** - DOKRĘCIĆ WSZYSTKIE POPRZECZKI**CS** - VŠECHNY PŘÍČNÉ TYČE SEŠROUJTE**29****30****31**

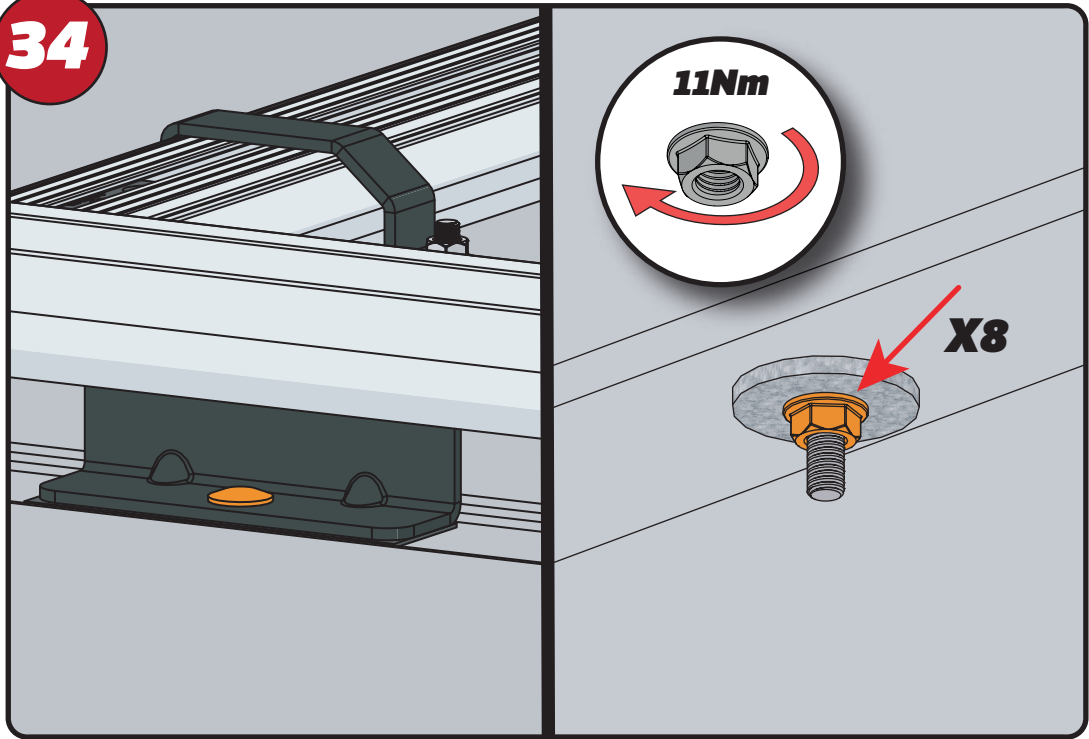
32



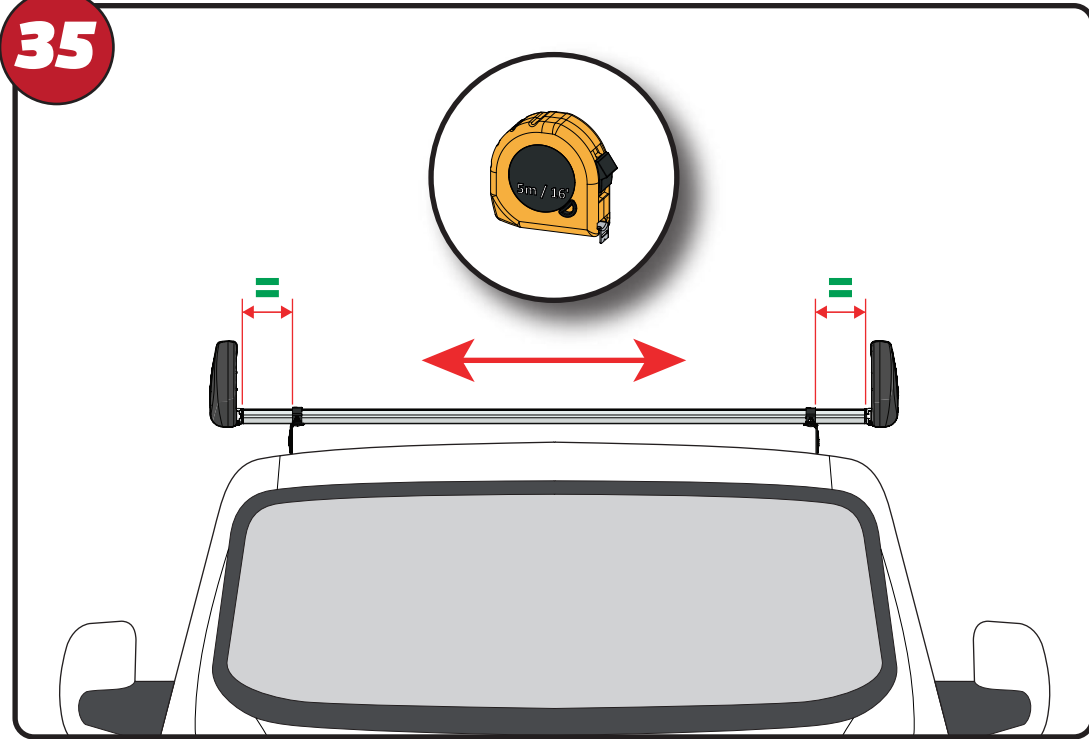
33



34

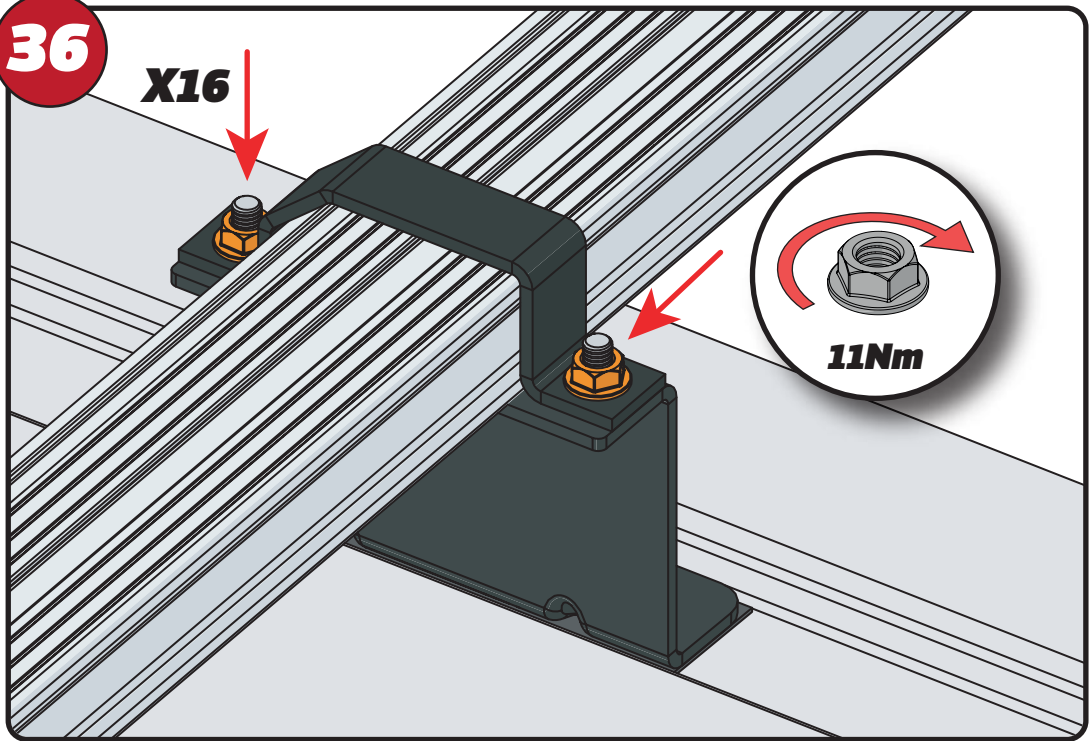


35



36

X16

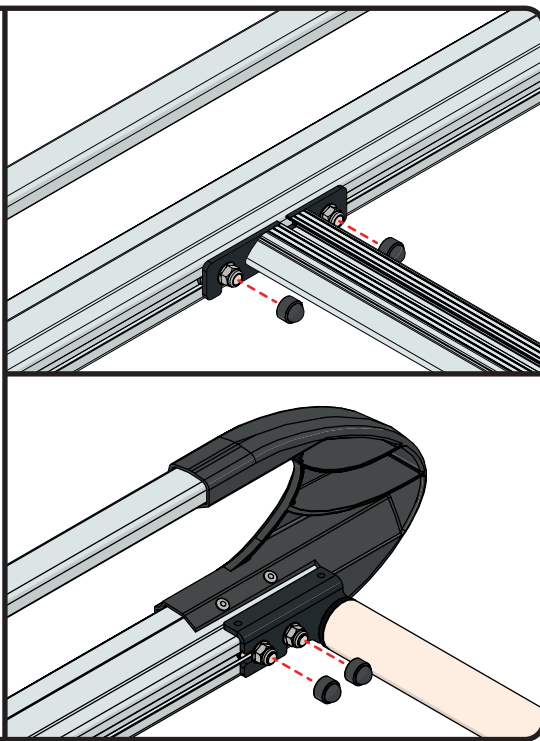


37

FX4241

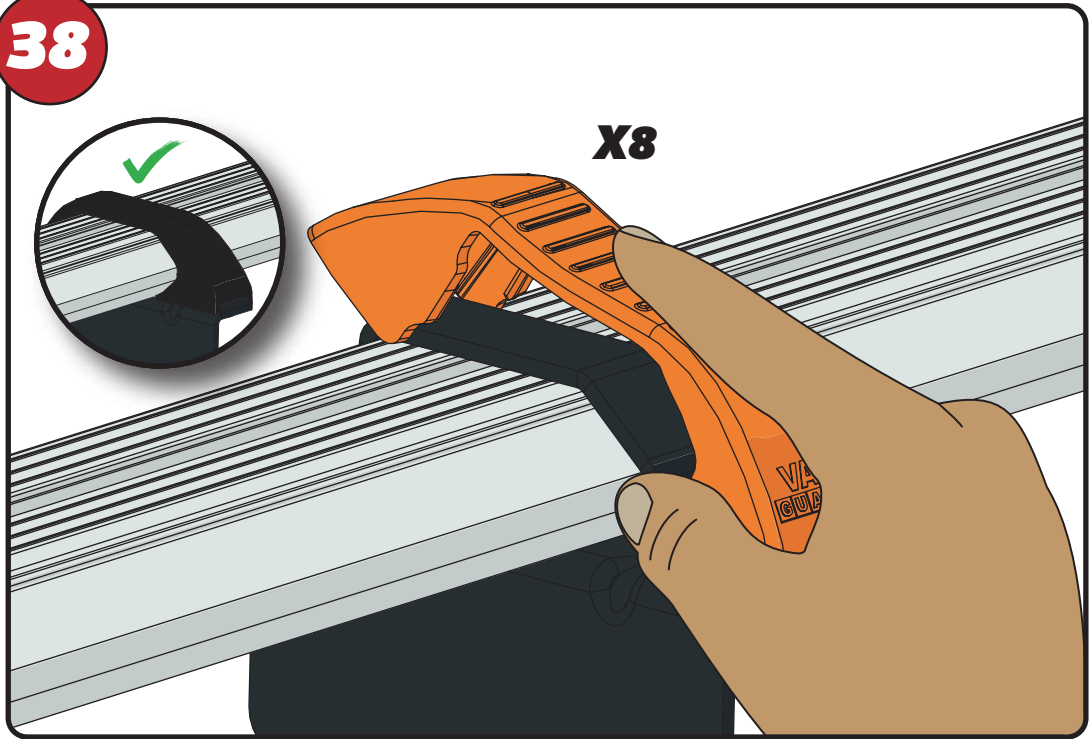


X40



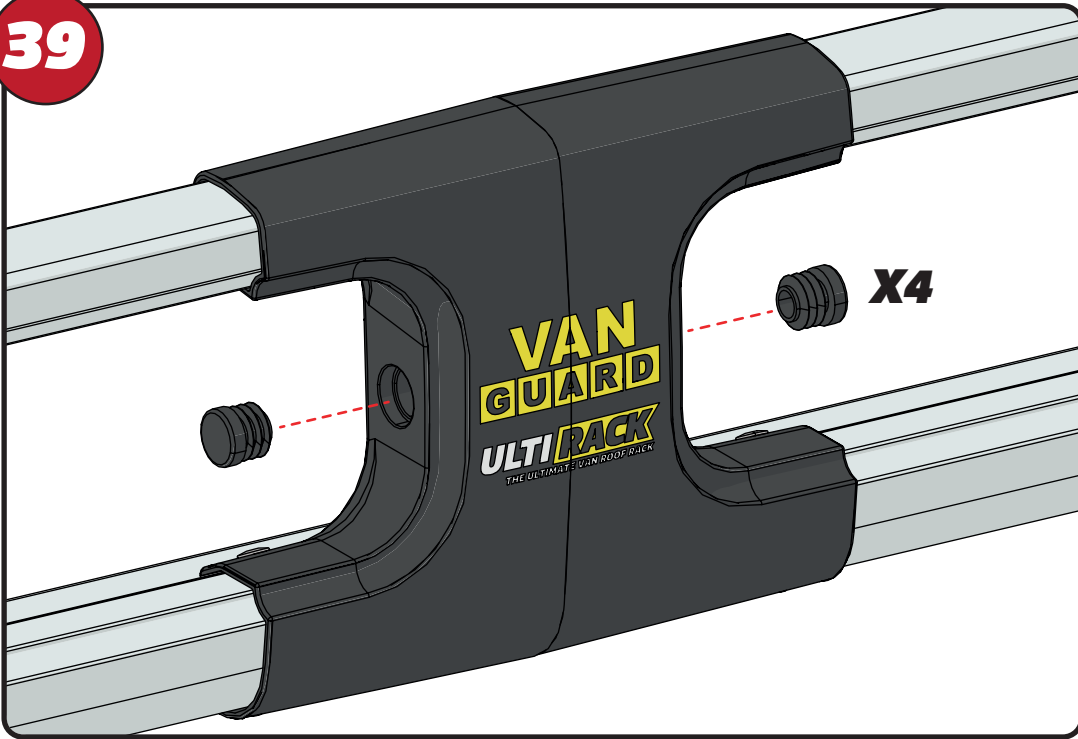
38

X8



39

X4



40

